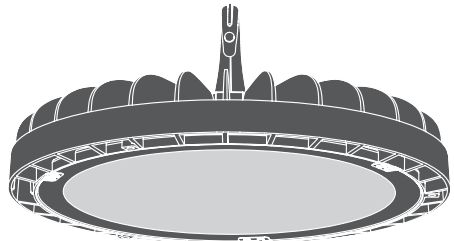
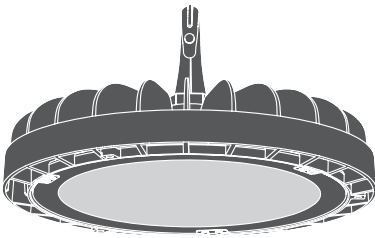
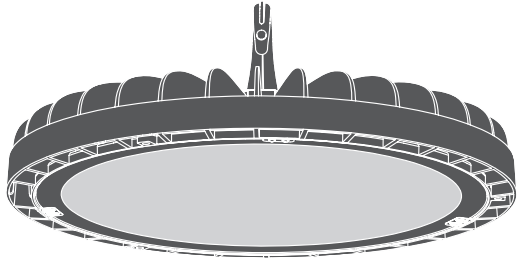
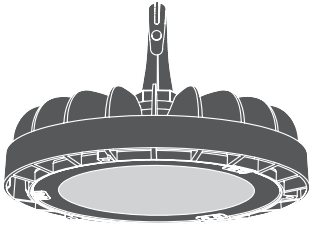
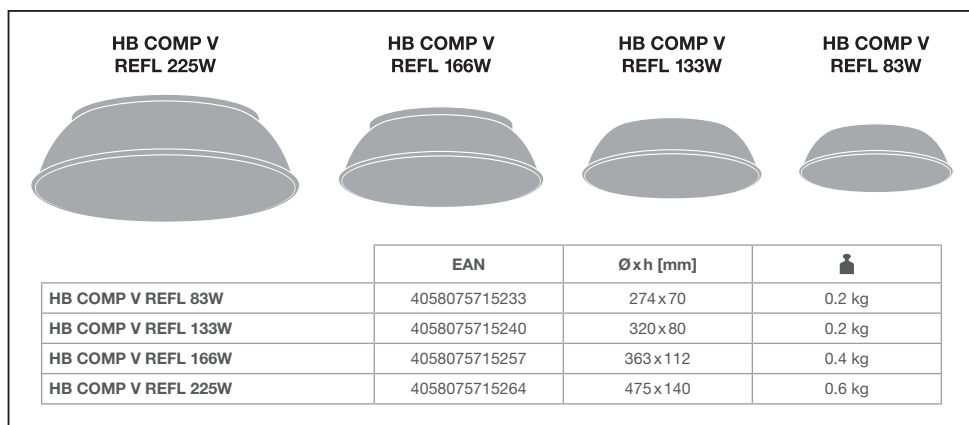
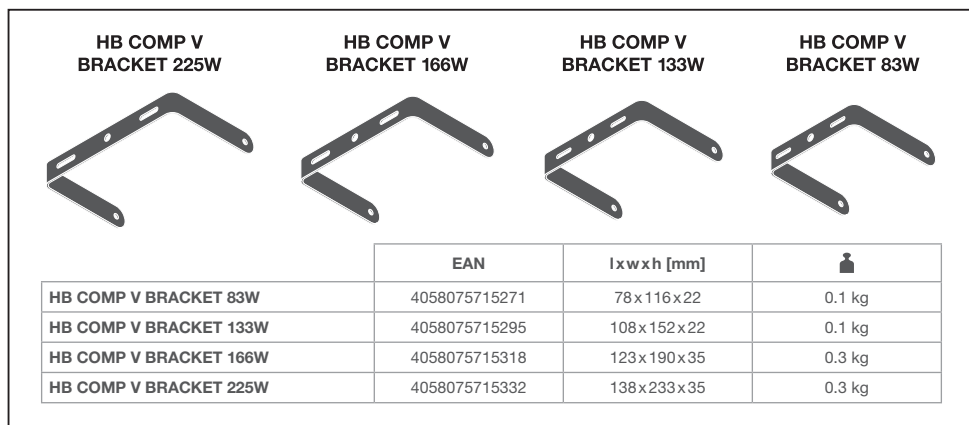
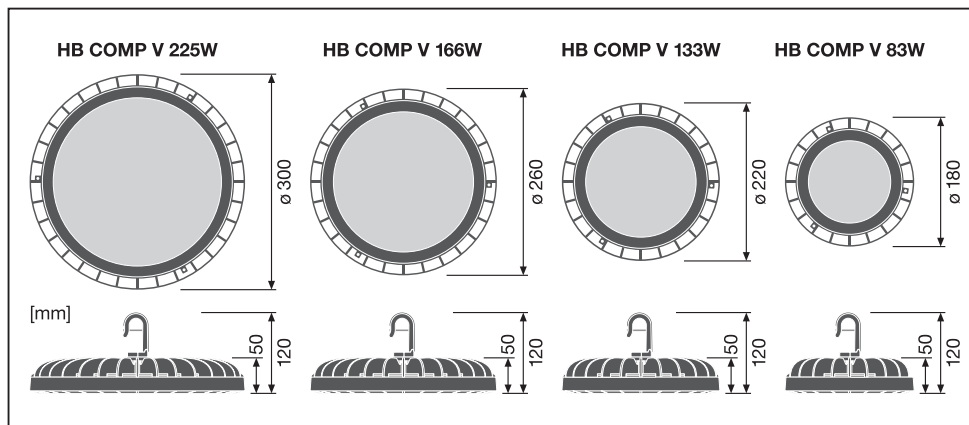


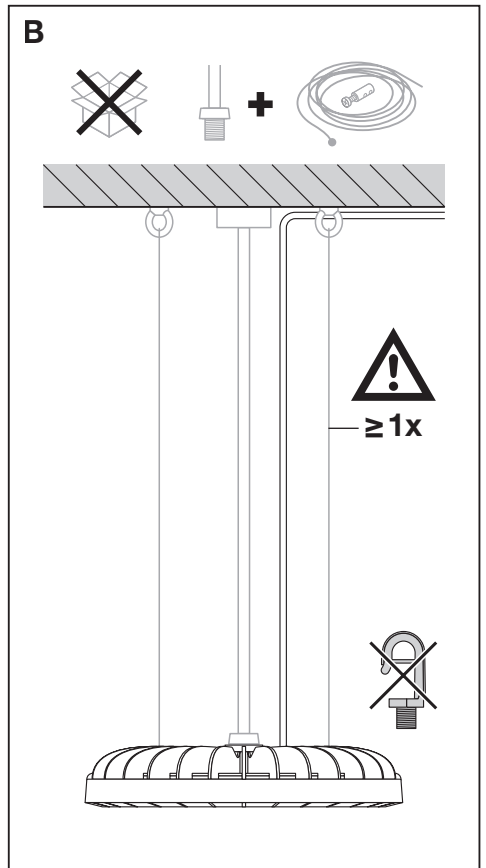
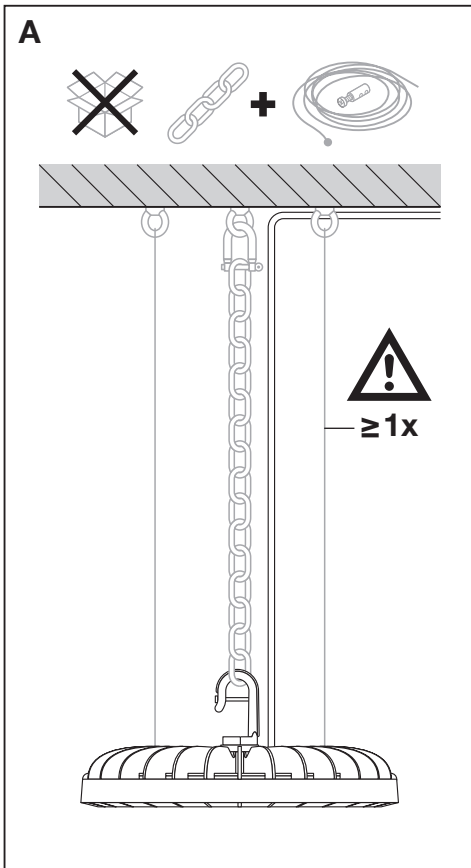
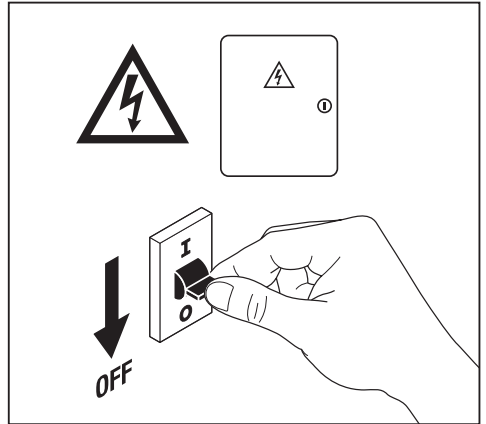
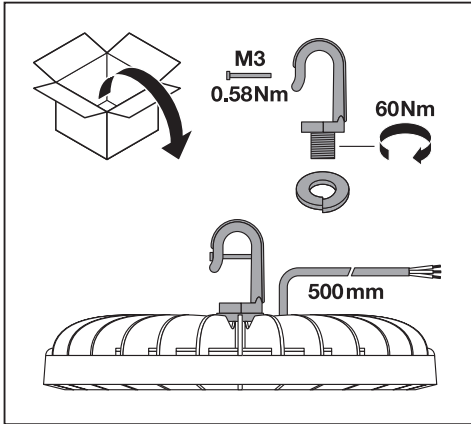
HIGHBAY COMPACT V 110DEG



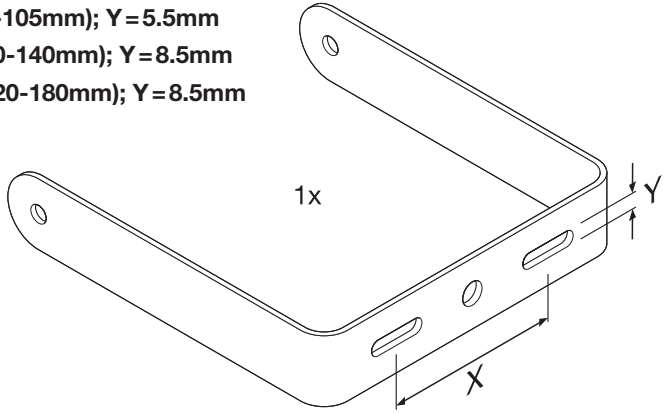
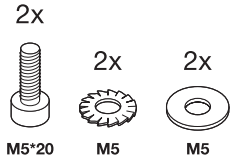
	EAN	Ø x h [mm]	W	V _{AC}	Hz	lm	lm/W	K
HB COMP V 83W 840 110DEG IP65	4058075708174	180x120	83	220-240V	50/60Hz	10000	120	4000
HB COMP V 133W 840 110DEG IP65	4058075708181	220x120	133	220-240V	50/60Hz	16000	120	4000
HB COMP V 166W 840 110DEG IP65	4058075708198	260x120	166	220-240V	50/60Hz	20000	120	4000
HB COMP V 225W 840 110DEG IP65	4058075708204	300x120	225	220-240V	50/60Hz	27000	120	4000
HB COMP V 83W 865 110DEG IP65	4058075708211	180x120	83	220-240V	50/60Hz	10000	120	6500
HB COMP V 133W 865 110DEG IP65	4058075764453	220x120	133	220-240V	50/60Hz	16000	120	6500
HB COMP V 166W 865 110DEG IP65	4058075708228	260x120	166	220-240V	50/60Hz	20000	120	6500
HB COMP V 225W 865 110DEG IP65	4058075775138	300x120	225	220-240V	50/60Hz	27000	120	6500

	EAN	IP	IK	∠	R _a	°(°C)	PF	👤
HB COMP V 83W 840 110DEG IP65	4058075708174	65	06	110°	>80	-20 ... +45	>0.9	0.8 kg
HB COMP V 133W 840 110DEG IP65	4058075708181	65	06	110°	>80	-20 ... +45	>0.9	1.1 kg
HB COMP V 166W 840 110DEG IP65	4058075708198	65	06	110°	>80	-20 ... +45	>0.9	1.5 kg
HB COMP V 225W 840 110DEG IP65	4058075708204	65	06	110°	>80	-20 ... +45	>0.9	2.0 kg
HB COMP V 83W 865 110DEG IP65	4058075708211	65	06	110°	>80	-20 ... +45	>0.9	0.8 kg
HB COMP V 133W 865 110DEG IP65	4058075764453	65	06	110°	>80	-20 ... +45	>0.9	1.1 kg
HB COMP V 166W 865 110DEG IP65	4058075708228	65	06	110°	>80	-20 ... +45	>0.9	1.5 kg
HB COMP V 225W 865 110DEG IP65	4058075775138	65	06	110°	>80	-20 ... +45	>0.9	2.0 kg

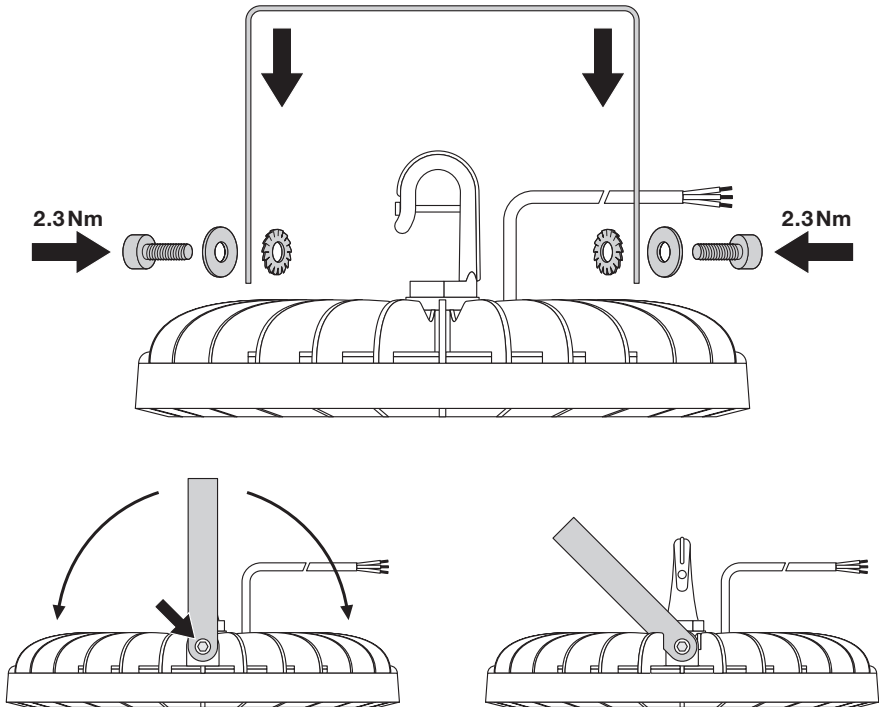


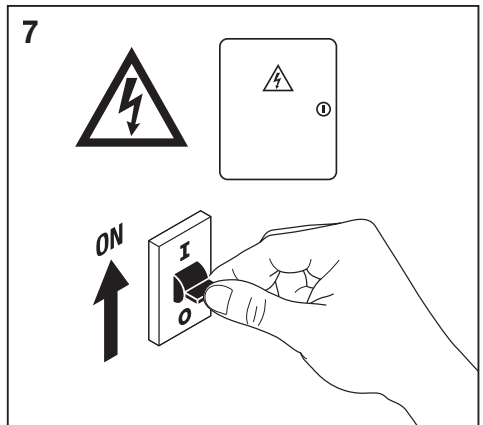
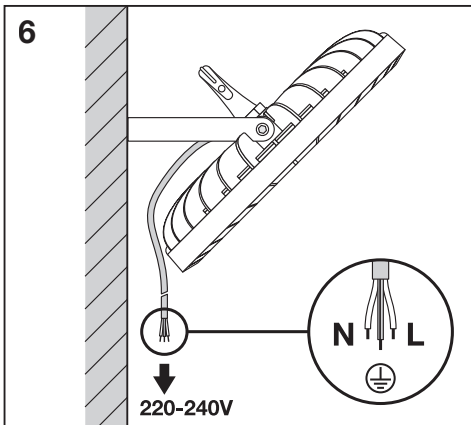
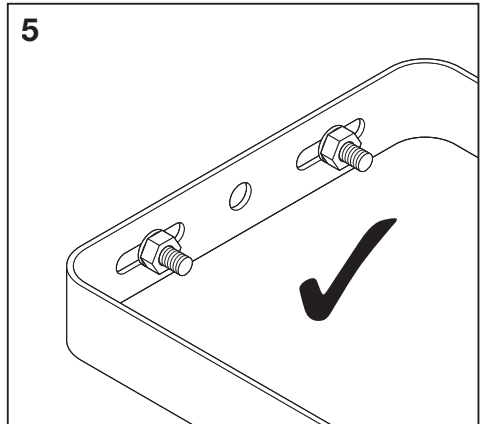
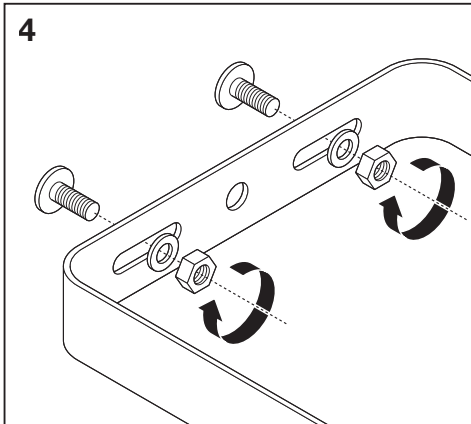
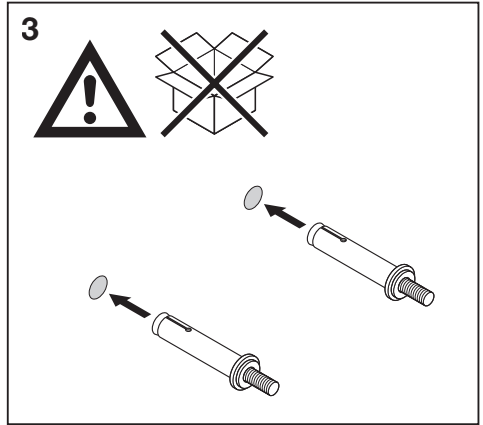
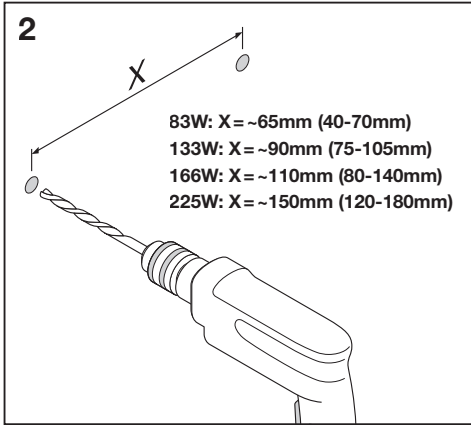


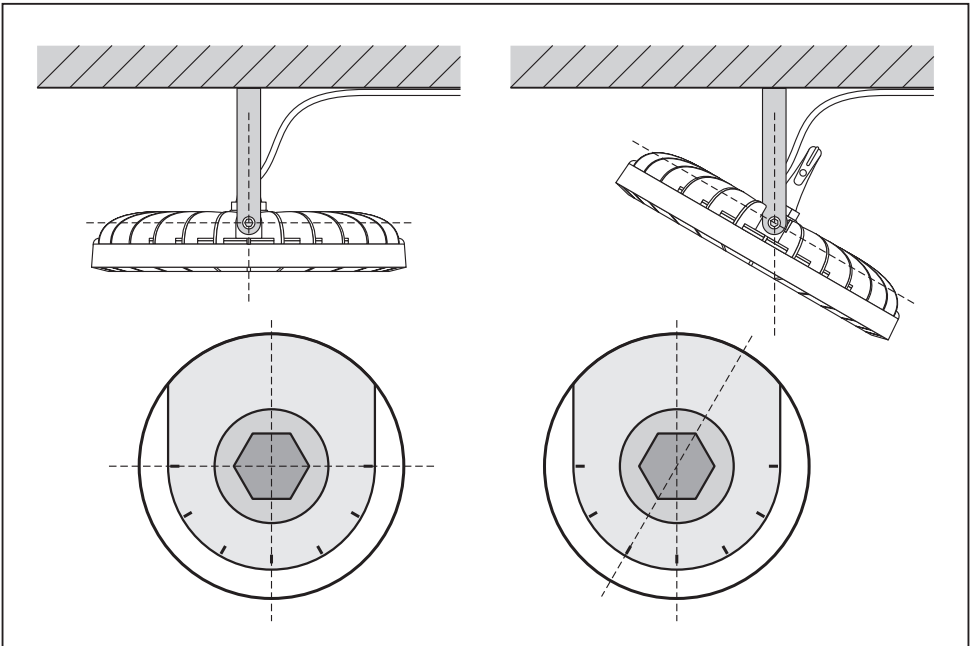
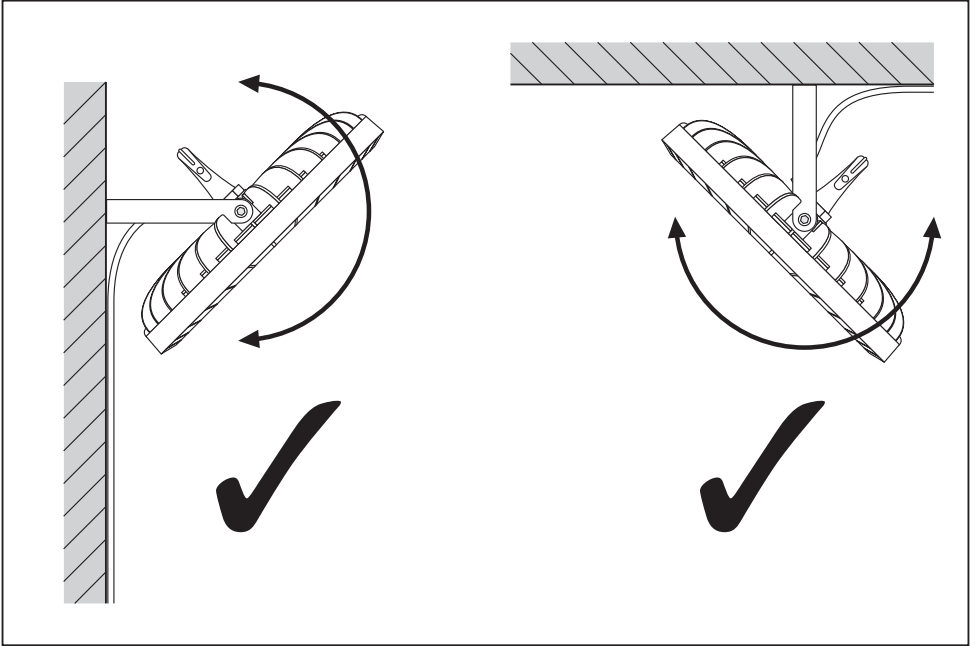
83W: X = ~65mm (40-70mm); Y = 5.5mm
133W: X = ~90mm (75-105mm); Y = 5.5mm
166W: X = ~110mm (80-140mm); Y = 8.5mm
225W: X = ~150mm (120-180mm); Y = 8.5mm



1



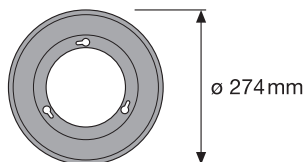




HB COMP REFL 83W
EAN 4058075715233



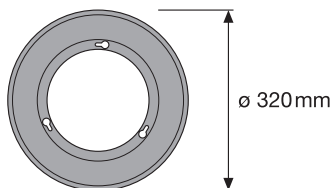
2x



HB COMP REFL 133W
EAN 4058075715240



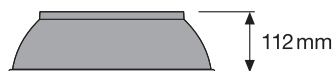
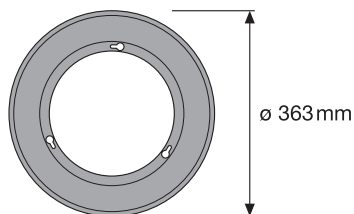
2x



HB COMP REFL 166W
EAN 4058075715257



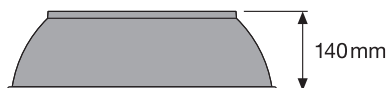
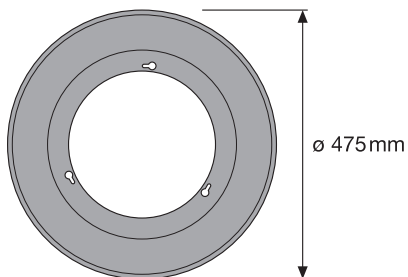
2x

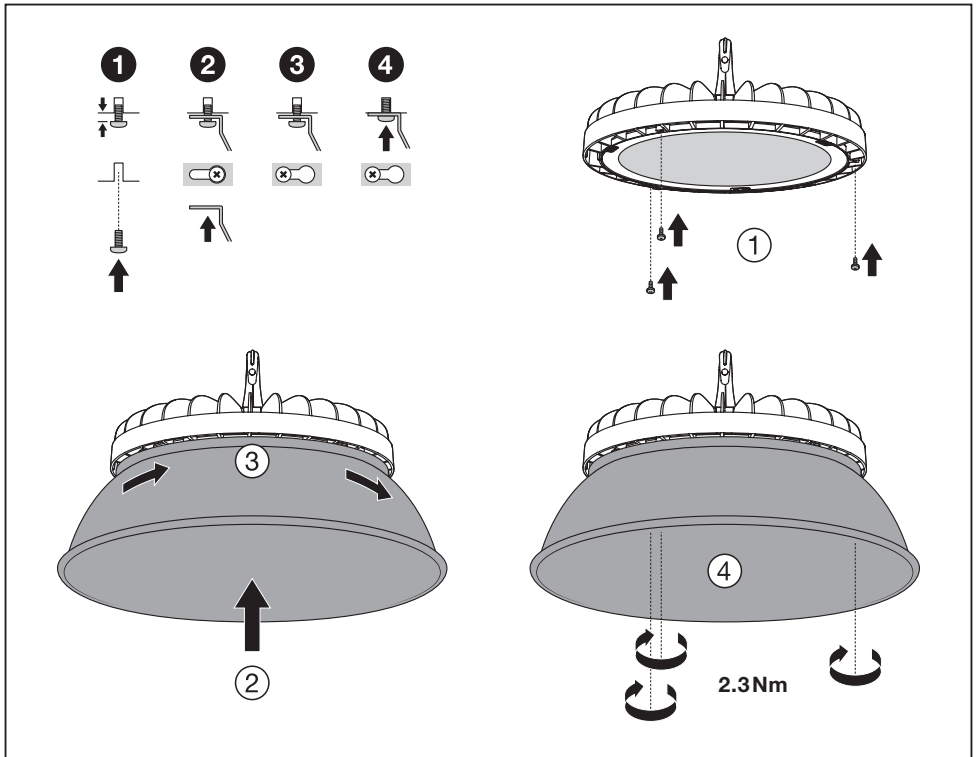


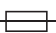
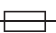
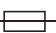
HB COMP REFL 225W
EAN 4058075715264



2x





	B16A 	C10A 	C16A 
HB COMP V 83W 840 110DEG IP65	35	22	35
HB COMP V 133W 840 110DEG IP65	22	13	22
HB COMP V 166W 840 110DEG IP65	17	11	17
HB COMP V 225W 840 110DEG IP65	13	8	13
HB COMP V 83W 865 110DEG IP65	35	22	35
HB COMP V 133W 865 110DEG IP65	22	13	22
HB COMP V 166W 865 110DEG IP65	17	11	17
HB COMP V 225W 865 110DEG IP65	13	8	13



C10449058
G11144164
01.06.22



LEDVANCE GmbH
Steinerne Furt 62
86167 Augsburg, Germany
www.ledvance.com

© LEDVANCE Ltd, Aquila House
Delta Crescent, Westbrook, Warrington
WA5 7NR, United Kingdom